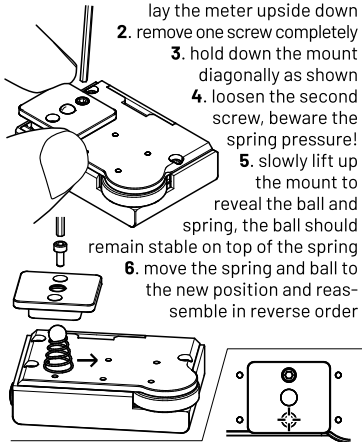


## Caution! Preloaded spring!

1. have a clean working area, lay the meter upside down
2. remove one screw completely
3. hold down the mount diagonally as shown
4. loosen the second screw, beware the spring pressure!
5. slowly lift up the mount to reveal the ball and spring, the ball should remain stable on top of the spring
6. move the spring and ball to the new position and reassemble in reverse order



**tip:** use one empty hole for visual alignment

## 1.5mm hex key

For moving the foot mount to different positions.

### **⚠ Do not overtighten screws!**

When screwing in, only tighten a further 1/6th of a full turn (60°) as soon as the screws take grip!

While this hex key can also be used to dismantle the meter, please know that because of small, loose parts, discretion is advised. Contact the manufacturer if in doubt.



Please read the instructions on the backside!

